

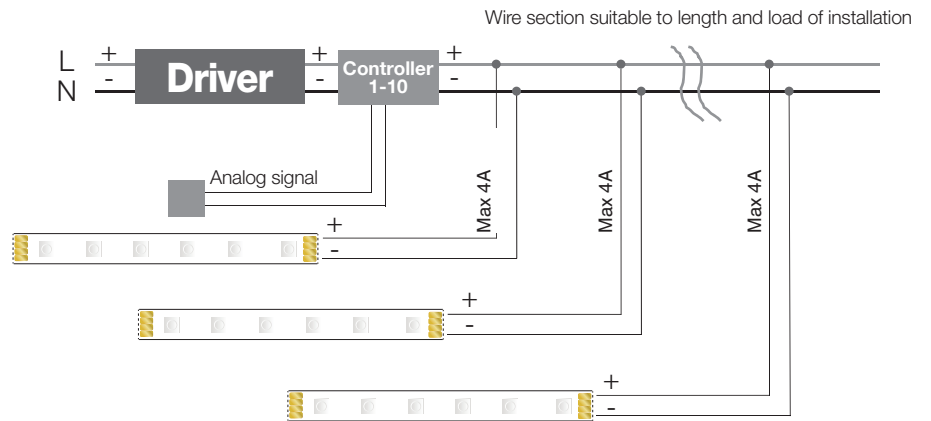
DURASTRIP CONTROLLERS

CONFIGURATION

DURASTRIP WIRING DIAGRAMS

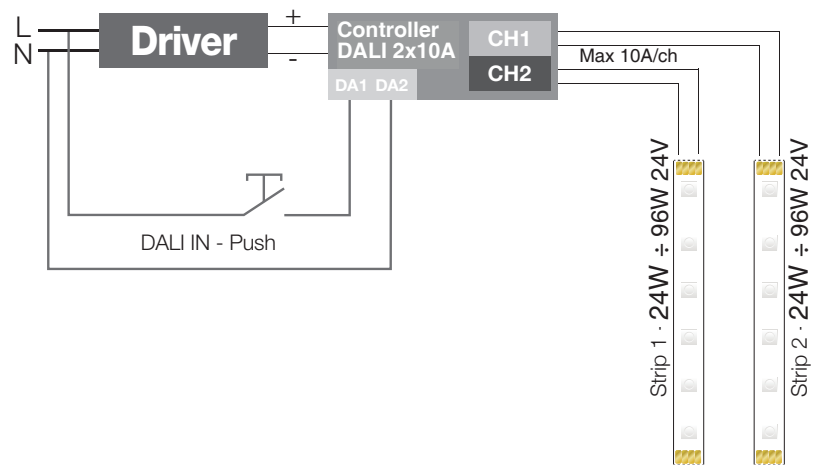
DURASTRIP

CONTROLLERS:
1-10V scheme



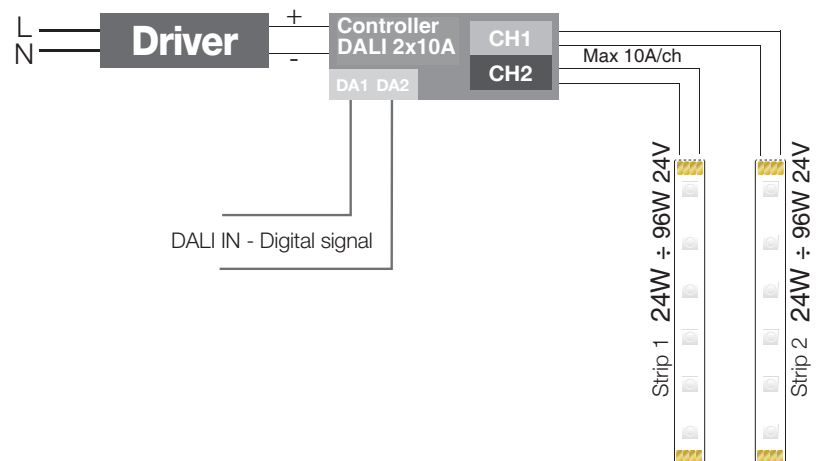
DURASTRIP

CONTROLLERS:
DALI scheme (Push)



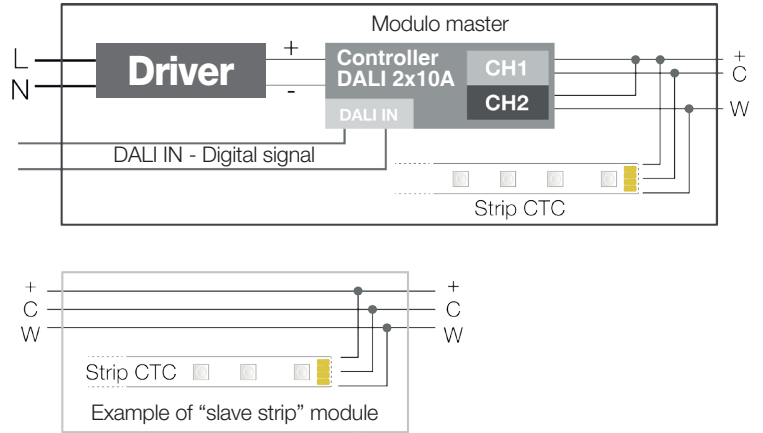
DURASTRIP

CONTROLLERS:
DALI scheme



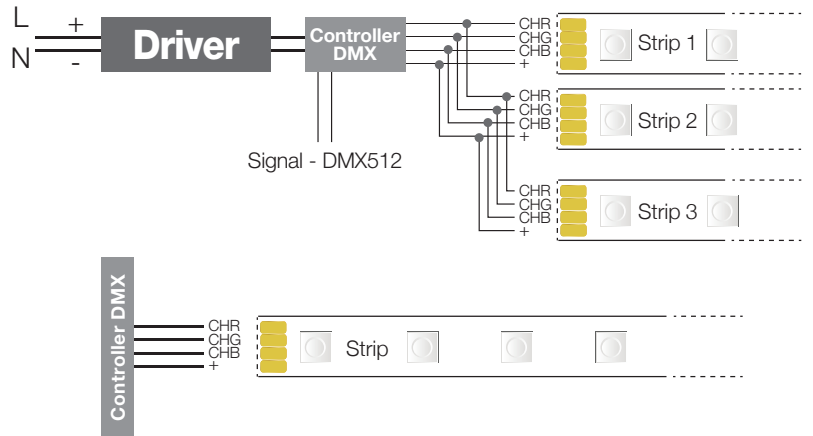
DURASTRIP

CONTROLLERS:
DALI scheme for CTC
linear system with master
and slave module



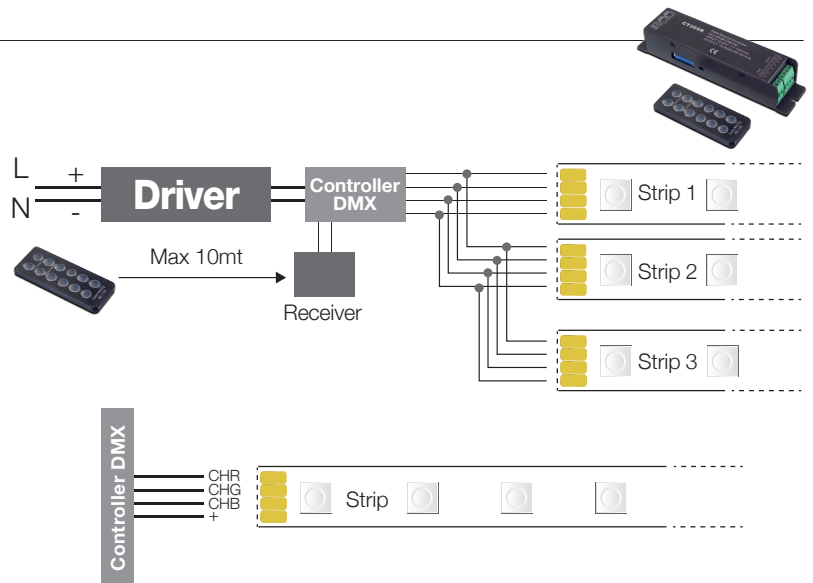
DURASTRIP

CONTROLLERS:
DMX scheme

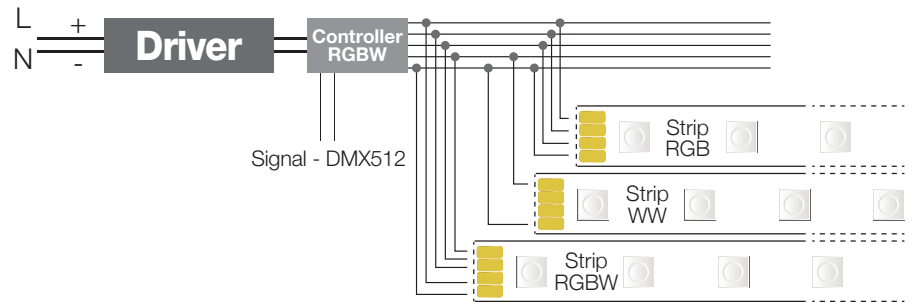


DURASTRIP

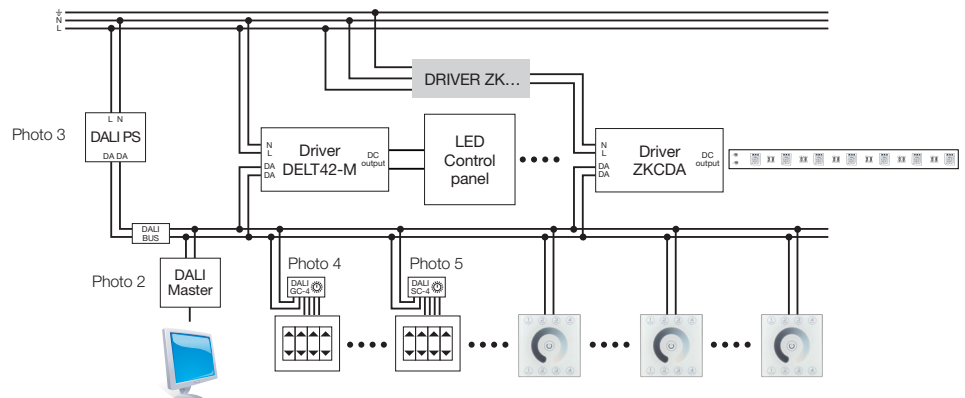
CONTROLLERS:
DMX IR scheme



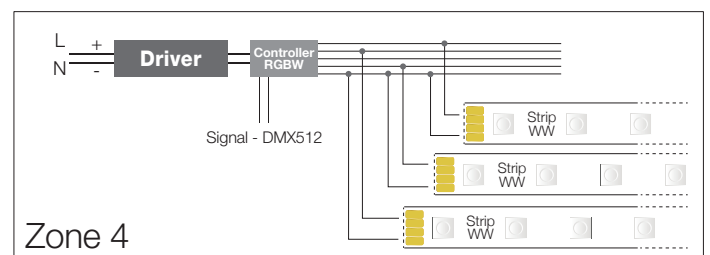
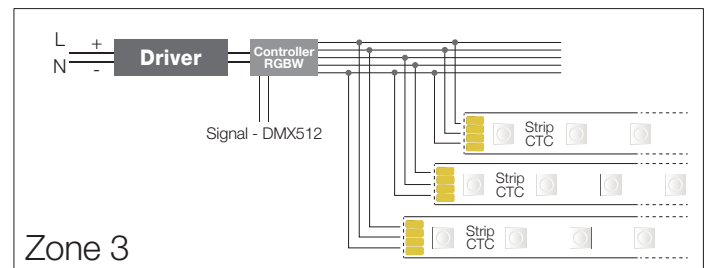
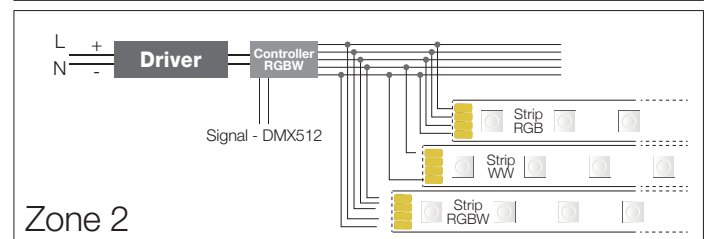
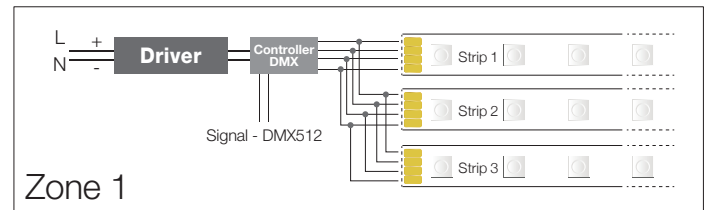
DURASTRIP CONTROLLER RGB+W (Cod. ZKCDMXW)



DURASTRIP WALL MOUNTED TOUCH



DURASTRIP DIMMER TOUCH



Max power indications for the use of DURASTRIP with the controllers, see page 92