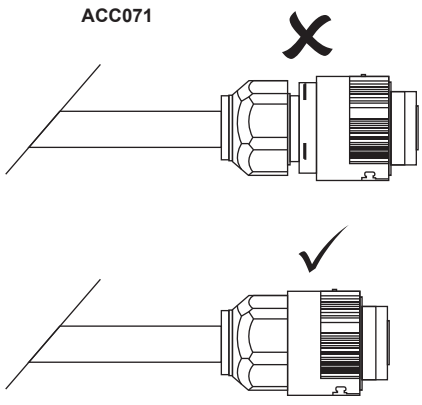


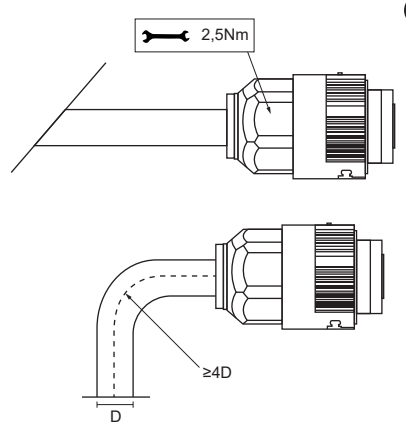
220-240Vac  
 30mm  
 2,5mm<sup>2</sup> (max)  
 8mm  
 H07RN-F 3G (Ø10+14mm)  
 min 3x1.5mm<sup>2</sup>  
 max 3x2.5mm<sup>2</sup>



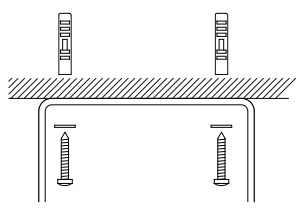
ACC071



2,5Nm

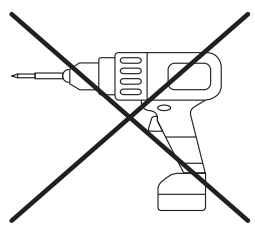


1

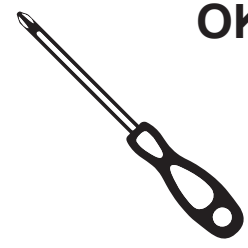


|                    |  |
|--------------------|--|
| 7026-7036:         |  |
| 7027-7037:         |  |
| 7028-7030<br>7038: |  |
| 7029-7039          |  |

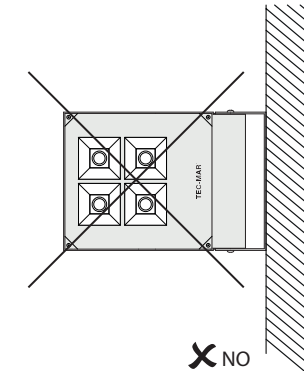
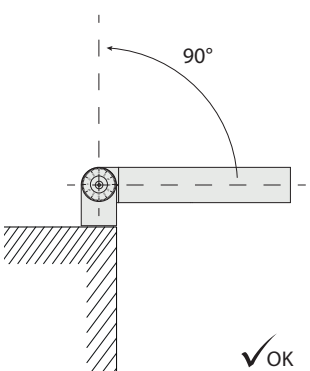
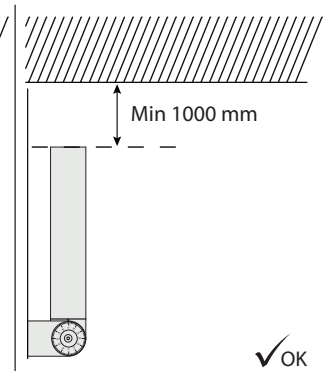
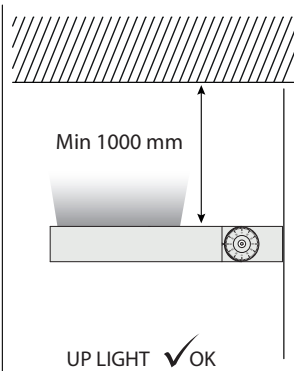
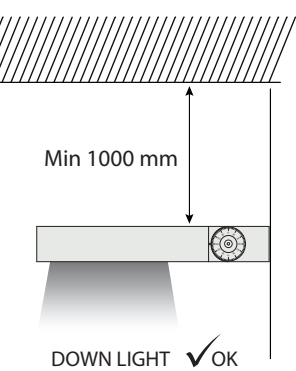
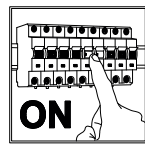
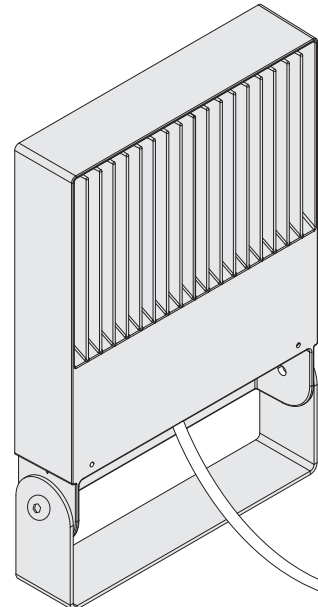
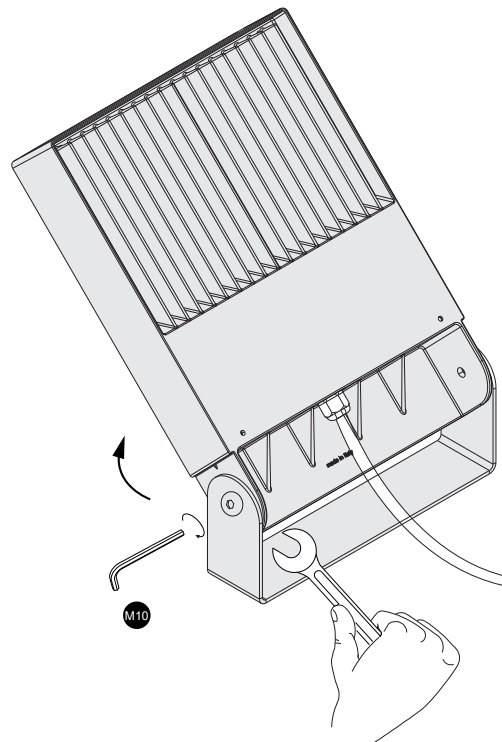
NO OK



OK



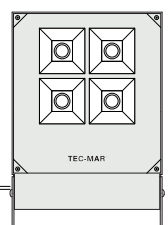
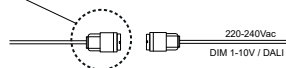
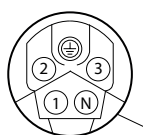
2



ACC070-ACC071

COLLEGAMENTO 1-10V o DALI  
 1-10V or DALI WIRING

- 1 = FASE / PHASE (marrone/brown)
- N = NEUTRO / NEUTRAL (blu/blue)
- ⊕ = TERRA / EARTH (giallo-verde/yellow-green)
- 2 = DIM + / DALI + (grigio/grey)
- 3 = DIM - / DALI - (nero/black)



1a